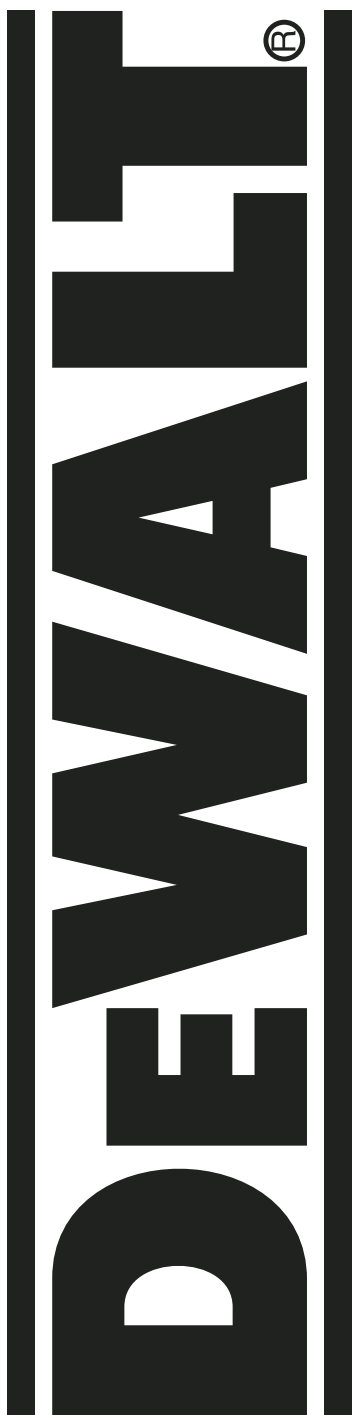


INSTRUCTIVO DE OPERACIÓN, CENTROS DE SERVICIO Y PÓLIZA DE GARANTÍA. ADVERTENCIA: LEASE ESTE INSTRUCTIVO ANTES DE USAR EL PRODUCTO.

INSTRUCTION MANUAL
GUIDE D'UTILISATION
MANUAL DE INSTRUCCIONES




DW130V 1/2" (13mm) Spade Handle Drill VSR
Perceuse a poignée-bêche vsr DW130V de 13 mm (1/2")
DW130V Taladro reversible, con velocidad variable, con mango tipo pala, de 13 mm (1/2 pulg.)

DeWALT Industrial Tool Co., 701 East Joppa Road, Baltimore, MD 21286
(SEP04-CD-1) Form No. 626285-00 DW130V Copyright © 2002, 2004 DeWALT

The following are trademarks for one or more DeWALT power tools: the yellow and black color scheme; the "D" shaped air intake grill; the array of pyramids on the handgrip; the kit box configuration; and the array of lozenge-shaped humps on the surface of the tool.

IF YOU HAVE ANY QUESTIONS OR COMMENTS ABOUT THIS OR ANY DeWALT TOOL, CALL US TOLL FREE AT: 1-800-4-DeWALT (1-800-433-9258)

General Safety Rules

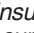
 **WARNING! Read and understand all instructions.** Failure to follow all instructions listed below may result in electric shock, fire and/or serious personal injury.

SAVE THESE INSTRUCTIONS

WORK AREA

- **Keep your work area clean and well lit.** Cluttered benches and dark areas invite accidents.
- **Do not operate power tools in explosive atmospheres, such as in the presence of flammable liquids, gases, or dust.** Power tools create sparks which may ignite the dust or fumes.
- **Keep bystanders, children, and visitors away while operating a power tool.** Distractions can cause you to lose control.

ELECTRICAL SAFETY

- **Grounded tools must be plugged into an outlet properly installed and grounded in accordance with all codes and ordinances. Never remove the grounding prong or modify the plug in any way. Do not use any adapter plugs. Check with a qualified electrician if you are in doubt as to whether the outlet is properly grounded.** If the tools should electrically malfunction or break down, grounding provides a low resistance path to carry electricity away from the user. **Applicable only to Class I (grounded) tools.**
- **Double insulated tools are equipped with a polarized plug (one blade is wider than the other.) This plug will fit in a polarized outlet only one way. If the plug does not fit fully in the outlet, reverse the plug. If it still does not fit, contact a qualified electrician to install a polarized outlet. Do not change the plug in any way.** Double insulation  eliminates the need for the three wire grounded power cord and grounded power supply system. **Applicable only to Class II (double insulated) tools.**
- **Avoid body contact with grounded surfaces such as pipes, radiators, ranges and refrigerators.** There is an increased risk of electric shock if your body is grounded.
- **Don't expose power tools to rain or wet conditions.** Water entering a power tool will increase the risk of electric shock.
- **Do not abuse the cord. Never use the cord to carry the tools or pull the plug from an outlet. Keep cord away from heat, oil, sharp edges or moving parts. Replace damaged cords immediately.** Damaged cords increase the risk of electric shock.
- **When operating a power tool outside, use an outdoor extension cord marked "W-A" or "W."** These cords are rated for outdoor use and reduce the risk of electric shock. When using an extension cord, be sure to use one heavy enough to carry the current your product will draw. An undersized cord will cause a drop in line voltage resulting in loss of power and overheating. The following table shows the correct size to use depending on cord length and nameplate ampere rating. In doubt, use the next heavier gage. The smaller the gage number, the heavier the cord.

Recommended Minimum Wire Size for Extension Cords

Total Length of Cord						
25 ft.	50 ft.	75 ft.	100 ft.	125 ft.	150 ft.	175 ft.
7.6 m	15.2 m	22.9 m	30.5 m	38.1 m	45.7 m	53.3 m
Wire Size AWG						
18	18	16	16	14	14	12

PERSONAL SAFETY

- **Stay alert, watch what you are doing and use common sense when operating a power tool. Do not use tool while tired or under the influence of drugs, alcohol, or medication.** A moment of inattention while operating power tools may result in serious personal injury.
- **Dress properly. Do not wear loose clothing or jewelry. Contain long hair. Keep your hair, clothing, and gloves away from moving parts.** Loose clothing, jewelry, or long hair can be caught in moving parts. Air vents often cover moving parts and should also be avoided.
- **Avoid accidental starting. Be sure switch is off before plugging in.** Carrying tools with your finger on the switch or plugging in tools that have the switch on invites accidents.

- **Remove adjusting keys or wrenches before turning the tool on.** A wrench or key that is left attached to a rotating part of the tool may result in personal injury.
- **Do not overreach. Keep proper footing and balance at all times.** Proper footing and balance enables better control of the tool in unexpected situations.
- **Use safety equipment. Always wear eye protection.** Dust mask, non-skid safety shoes, hard hat, or hearing protection must be used for appropriate conditions.

TOOL USE AND CARE

- **Use clamps or other practical way to secure and support the workpiece to a stable platform.** Holding the work by hand or against your body is unstable and may lead to loss of control.
- **Do not force tool. Use the correct tool for your application.** The correct tool will do the job better and safer at the rate for which it is designed.
- **Do not use tool if switch does not turn it on or off.** Any tool that cannot be controlled with the switch is dangerous and must be repaired.
- **Disconnect the plug from the power source before making any adjustments, changing accessories, or storing the tool.** Such preventative safety measures reduce the risk of starting the tool accidentally.
- **Store idle tools out of reach of children and other untrained persons.** Tools are dangerous in the hands of untrained users.
- **Maintain tools with care. Keep cutting tools sharp and clean.** Properly maintained tools, with sharp cutting edges are less likely to bind and are easier to control.
- **Check for misalignment or binding of moving parts, breakage of parts, and any other condition that may affect the tools operation. If damaged, have the tool serviced before using.** Many accidents are caused by poorly maintained tools.
- **Use only accessories that are recommended by the manufacturer for your model.** Accessories that may be suitable for one tool, may become hazardous when used on another tool.

SERVICE

- **Tool service must be performed only by qualified repair personnel.** Service or maintenance performed by unqualified personnel could result in a risk of injury.
- **When servicing a tool, use only identical replacement parts. Follow instructions in the Maintenance section of this manual.** Use of unauthorized parts or failure to follow Maintenance Instructions may create a risk of electric shock or injury.

Additional Safety Instructions

- **Hold tool by insulated gripping surfaces when performing an operation where the cutting tools may contact hidden wiring or its own cord.** Contact with a "live" wire will make exposed metal parts of the tool "live" and shock the operator.
- **Accessories must be rated for at least the speed recommended on the tool warning label.** Wheels and other accessories running over rated speed can fly apart and cause injury. Accessory ratings must be above listed minimum wheel speed as shown on tool nameplate.
- **Wear safety goggles or other eye protection.** Hammering and drilling operations cause chips to fly. Flying particles can cause permanent eye damage.
- **Keep handles dry, clean, and free from oil and grease.** This will enable better control of the tool.
- **WARNING:** Some dust created by power sanding, sawing, grinding, drilling, and other construction activities contains chemicals known to cause cancer, birth defects or other reproductive harm. Some examples of these chemicals are:
 - lead from lead-based paints,
 - crystalline silica from bricks and cement and other masonry products, and
 - arsenic and chromium from chemically-treated lumber (CCA).




Your risk from these exposures varies, depending on how often you do this type of work. To reduce your exposure to these chemicals: work in a well ventilated area, and work with approved safety equipment, such as those dust masks that are specially designed to filter out microscopic particles.

- **Avoid prolonged contact with dust from power sanding, sawing, grinding, drilling, and other construction activities.** Wear protective clothing and wash exposed areas with soap and water. Allowing dust to get into your mouth, eyes, or lay on the skin may promote absorption of harmful chemicals.

WARNING: Use of this tool can generate and/or disburse dust, which may cause serious and permanent respiratory or other injury. Always use NIOSH/OSHA approved respiratory protection appropriate for the dust exposure. Direct particles away from face and body.

CAUTION: Wear appropriate hearing protection during use. Under some conditions and duration of use, noise from this product may contribute to hearing loss.

- The label on your tool may include the following symbols. The symbols and their definitions are as follows:

V	volts	A	amperes
Hz	hertz	W.....	watts
min	minutes	~	alternating current
====	direct current	n ₀	no load speed
	Class II Construction		earthing terminal
	safety alert symbol	.../min	revolutions per minute

SAVE THESE INSTRUCTIONS

Motor

Your DeWALT tool is powered by a DeWALT built motor. Be sure your power supply agrees with the nameplate marking. The markings; 120, 220 volts, 50/60 Hz or "AC/DC", mean that your drill will operate on alternating or direct current. Voltage decrease of more than 10% will cause loss of power and overheating. All DeWALT tools are factory tested; if this tool does not operate, check the power supply.

Spade Handle Assembly (Fig. 1)

This spade handle can be attached either horizontally or vertically. Place the handle into the locating boss on the back of the drill and assemble with holding knob.

Side Handle (Fig. 1)

The side handle can be placed in either side of the drill or the top of the drill according to operator preference and available working clearance. The spade handle can be temporarily removed if working clearance at rear of tool is limited. Always replace spade handle when possible.

CAUTION: Always use the side handle and switch handle. This is a high-torque drill. Always hold it firmly with both hands when operating.

Switch (Fig. 2)

To start the drill, depress the trigger switch; to stop the drill, release the trigger.

A variable speed trigger switch (A) permits speed control—the farther the trigger is depressed, the higher the speed of the drill.

NOTE: Use lower speeds for starting holes without a center punch, drilling in metal or plastics, driving screws or drilling ceramics. Higher speeds are better for drilling wood and composition boards and using abrasive and polishing accessories.

The reversing lever (B) is used for withdrawing bits from tight holes and removing screws. It is located above the trigger switch. To reverse the motor, release the trigger switch FIRST and then push the lever to the right. After any reversing operations, return lever to forward position.

The locking feature (C) is for use when the drill is mounted in a drill stand or otherwise firmly held...**NOT BY HAND.**

Do not lock the switch "ON" when drilling by hand so that you can instantly release the trigger switch if the bit binds in the hole.

Be sure to release the switch locking button before disconnecting the plug from the power supply. Failure to do so will cause the tool to start immediately the next time it is plugged in. Damage or injury could result.

Chuck

To insert bit, open chuck jaws by turning collar with fingers and insert shank of bit about 3/4" (19mm) into chuck. Tighten chuck collar by hand. Place chuck key in each of the three holes and tighten in clockwise direction. It's important to tighten chuck with all three holes.

To release bit, turn chuck key counterclockwise in just one hole, then loosen the chuck by hand.

FIG. 1

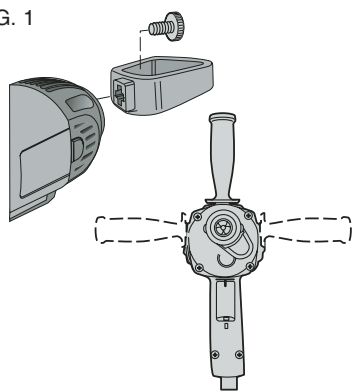


FIG. 2

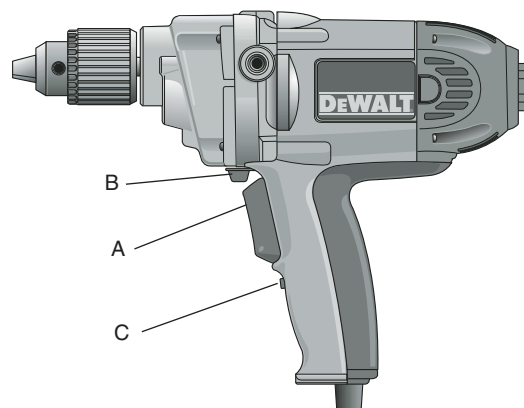


FIG. 3

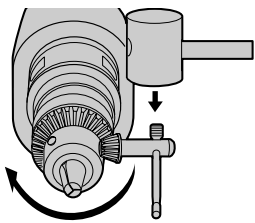
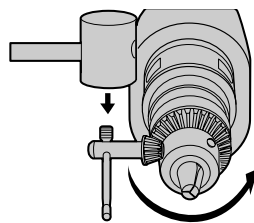


FIG. 4



Chuck Removal (Fig. 3, 4)

1. Place chuck key in chuck as shown in Figure 3. Using a wooden mallet or similar object, strike key sharply in a CLOCKWISE direction. This will loosen screw inside chuck.
2. Open chuck jaws fully. Insert screwdriver into front of chuck between jaws to engage screw head. Remove screw by turning clockwise (left-hand thread).
3. Place key in chuck as shown in Figure 4. Using a wooden mallet or similar object, strike key sharply in a COUNTERCLOCKWISE direction. This will loosen chuck so that it can be unscrewed by hand.

Drilling

1. Always turn off tool and disconnect from power supply when attaching or changing bits or accessories.
2. Use sharp drill bits only. For WOOD, use twist drill bits, spade bits, power auger bits, or hole saws. For METAL, use high speed steel twist drill bits or hole saws. For MASONRY, such as brick, cement, cinder block, etc., use carbide-tipped bits
3. Be sure the material to be drilled is anchored or clamped firmly. If drilling thin material, use a "back-up" block to prevent damage to the material.
4. Always apply pressure in a straight line with the bit. Use enough pressure to keep the drill bit biting, but do not push hard enough to stall the motor or deflect the bit.
5. Hold tool firmly to control the twisting action of the drill.
6. **IF DRILL STALLS**, it is usually because it is being overloaded. **RELEASE TRIGGER IMMEDIATELY**, remove drill bit from work, and determine cause of stalling. **DO NOT CLICK TRIGGER ON AND OFF IN AN ATTEMPT TO START A STALLED DRILL – THIS CAN DAMAGE THE DRILL.**
7. To minimize stalling on breaking through the material, reduce pressure on drill and ease the bit through the last fractional part of the hole.
8. Keep the motor running when pulling the bit back out of a drilled hole. This will help prevent jamming.

Drilling in Wood

Holes in wood can be made with the same twist drills used for metal. These bits may overheat unless pulled out frequently to clear chips from the flutes. For larger holes, use spade bits, power auger bits, or hole saws. Work that is likely to splinter should be backed up with a block of wood.

Drilling in Metals

Use a cutting lubricant when drilling metals. The exceptions are cast iron and brass which should be drilled dry. The cutting lubricants that work best are sulphurised cutting oil or lard oil; bacon grease will also serve the purpose.

Drilling in Masonry

Use carbide tipped masonry bits at low speeds. Keep even force on the drill but not so much that you crack the brittle materials. A smooth, even flow of dust indicates the proper drilling rate.

Lubrication

All bearings used are factory lubricated to last the life of the tool. All needle bearings used receive their lubrication from the grease in the gear case. Clean and relubricate gear case yearly or whenever servicing requires the gear case to be removed. Use type and quantity of grease shown on Parts Bulletin packed with your tool.

Gear case is removed by removing the four screws from the front of the tool. If the chuck is too large to permit removal of the two top screws, see instructions for chuck removal.

Motor Brushes

CAUTION: Turn off and unplug the tool before making any adjustments or removing/installing attachments or accessories.

This DeWALT tool uses an advanced brush system which automatically stops the tool when the brushes wear out. This prevents serious damage to the motor.

Accessories

Recommended accessories for use with your tool are available at extra cost from your local dealer or authorized service center.

If you need assistance in locating any accessory, please contact DeWALT Industrial Tool Co., 701 East Joppa Road, Baltimore, MD 21286 or call 1-800-433-9258.

CAUTION: The use of any other accessory not recommended for use with this tool could be hazardous.

For safety in use, the following accessories should be used only in sizes up to the maximums shown in the table below.

MAXIMUM RECOMMENDED CAPACITIES		
Drill Capacity	1/2"	13mm
RPM	0-550	
Steel twist bit	1/2"	13mm
Auger	1-1/2"	38mm
Self-feed	3"	76mm
Spade	1-1/2"	38mm
Wood holesaw	5"	127mm
Steel holesaw	4"	102mm

ACCESSORY MUST BE RATED FOR USE AT SPEED EQUAL TO OR HIGHER THAN NAME-PLATE RPM OF TOOL WITH WHICH IT IS BEING USED.

Repairs

To assure product SAFETY and RELIABILITY, repairs, maintenance and adjustment (including brush inspection and replacement) should be performed by authorized service centers or other qualified service organizations, always using identical replacement parts.

Three Year Limited Warranty

DeWALT will repair, without charge, any defects due to faulty materials or workmanship for three years from the date of purchase. This warranty does not cover part failure due to normal wear or tool abuse. For further detail of warranty coverage and warranty repair information, visit www.dewalt.com or call 1-800-4-DEWALT (1-800-433-9258). This warranty does not apply to

accessories or damage caused where repairs have been made or attempted by others. This warranty gives you specific legal rights and you may have other rights which vary in certain states or provinces.

In addition to the warranty, DeWALT tools are covered by our:

1 YEAR FREE SERVICE

DeWALT will maintain the tool and replace worn parts caused by normal use, for free, any time during the first year after purchase.

90 DAY MONEY BACK GUARANTEE

If you are not completely satisfied with the performance of your DeWALT Power Tool, Laser, or Nailer for any reason, you can return it within 90 days from the date of purchase with a receipt for a full refund – no questions asked.

FREE WARNING LABEL REPLACEMENT: If your warning labels become illegible or are missing, call 1-800-4-DEWALT for a free replacement.



SI VOUS AVEZ DES QUESTIONS OU VOUS VOULEZ NOUS FAIRE PART DE VOS COMMENTAIRES CONCERNANT CET OUTIL OU TOUT AUTRE OUTIL DEWALT, COMPOSEZ SANS FRAIS LE : 1 800 433-9258. (1-800-4-DEWALT).

Règles de sécurité – Généralités

AVERTISSEMENT : Lire, comprendre et suivre toutes les directives précisées ci-dessous, y compris les consignes de sécurité, afin d'éviter les risques de choc électrique, d'incendie ou de blessure grave.

CONSERVER CES DIRECTIVES

AIRE DE TRAVAIL

- **L'aire de travail doit être propre et bien éclairée.** Les établis encombrés et les endroits sombres peuvent entraîner des accidents.
- **Ne pas faire fonctionner des outils électriques dans des atmosphères explosives, comme en présence de liquides, de gaz et de poussières inflammables.** Les outils électriques produisent des étincelles qui peuvent enflammer la poussière ou les vapeurs
- **Tenir les enfants, les visiteurs ou toute autre personne à l'écart lorsqu'on utilise un outil électrique;** les distractions peuvent faire perdre la maîtrise de ce dernier.

MESURES DE SÉCURITÉ – ÉLECTRICITÉ

- **Les outils mis à la terre doivent être branchés dans une prise correctement installée et mise à la terre tel que l'indiquent les codes et règlements en vigueur. Ne jamais retirer la broche de mise à la terre ou modifier la prise en aucune façon. Ne pas utiliser de fiche d'adaptation. Consulter un électricien qualifié s'il y a un doute en ce qui concerne la mise à la terre de la prise.** En cas de défaillance électrique ou de bris de l'outil, la mise à la terre procure un chemin de faible résistance au courant afin de réduire les risques de choc électrique. **Cette protection ne s'applique qu'aux outils de classe I (mis à la terre).**
- **Les outils à double isolation sont munis d'une fiche polarisée (c'est-à-dire que l'une des lames est plus large que l'autre), laquelle ne peut être raccordée qu'à une prise polarisée et ce, dans un seul sens; on doit l'inverser si on est incapable de l'enfoncer complètement. Si la fiche ne s'adapte toujours pas, on doit faire appel à un électricien qualifié pour qu'il installe la prise appropriée. On ne doit jamais modifier la fiche.** La double isolation élimine le besoin d'installer un cordon d'alimentation trifilaire et un système d'alimentation électrique pourvus d'une mise à la terre; **seuls les outils de classe II (à double isolation) sont munis d'une telle protection.**
- **Éviter tout contact entre le corps et les éléments mis à la terre, comme les tuyaux, les radiateurs, les cuisinières et les réfrigérateurs, afin de réduire les risques de choc électrique.**
- **Ne pas utiliser l'outil électrique dans des endroits mouillés, ni l'exposer à la pluie;** l'infiltration d'eau à l'intérieur de l'outil augmente les risques de choc électrique.
- **Ne pas utiliser le cordon de manière abusive; on ne doit pas transporter l'outil en le tenant par le cordon, ou utiliser ce dernier pour le débrancher. On doit tenir le cordon à l'écart des sources de chaleur, de l'huile, des bords tranchants ou des pièces mobiles. Remplacer immédiatement les cordons endommagés, car ces derniers augmentent les risques de choc électrique.**
- **Lorsqu'on utilise un outil électrique à l'extérieur, on ne doit utiliser que des rallonges conçues pour cet usage, comme celles de type « W-A » ou « W », afin de réduire les risques de choc électrique.** S'assurer que la rallonge est en mesure de porter le courant nécessaire à l'outil. Une rallonge de calibre inférieur entraînera une chute de tension se traduisant par une perte de puissance et une surchauffe. Le tableau ci-dessous illustre les calibres que l'on doit utiliser selon la longueur de la rallonge et l'intensité nominale indiquée sur la plaque signalétique. En cas de doute, utiliser le calibre suivant. Plus le calibre est petit, plus la rallonge peut porter de courant.

Calibre de fil minimum recommandé pour les rallonges

Longueur totale de la rallonge

25 pi	50 pi	75 pi	100 pi	125 pi	150 pi	175 pi
7,6 m	15,2 m	22,9 m	30,5 m	38,1 m	45,7 m	53,3 m

Calibre AWG

18	18	16	16	14	14	12
----	----	----	----	----	----	----

SÉCURITÉ PERSONNELLE

- **Rester vigilant en tout temps et faire preuve de jugement lorsqu'on utilise un outil électrique. Ne pas utiliser l'outil lorsqu'on est fatigué ou sous l'influence de drogues, d'alcool ou de médicaments,** car un moment d'inattention pourrait entraîner des blessures graves.
- **Porter des vêtements appropriés. Ne pas porter des vêtements amples ou des bijoux. Couvrir ou attacher les cheveux longs. Garder les cheveux, les vêtements, les bijoux et les gants éloignés des pièces mobiles,** car ceux-ci peuvent s'y coincer. Se tenir éloigné des événements puisque ces derniers pourraient camoufler des pièces mobiles.
- **Éviter les démarrages accidentels; s'assurer que l'interrupteur est en position d'arrêt avant de brancher l'outil. Ne pas transporter l'outil en laissant le doigt sur l'interrupteur ni le brancher lorsque l'interrupteur est en position de marche, car cela pourrait causer un accident.**
- **Retirer les clés de réglage avant de démarrer l'outil. Une clé laissée sur une pièce rotative pourrait entraîner des blessures.**
- **Ne pas trop étendre les bras. Les pieds doivent rester ancrés fermement au sol afin de maintenir son équilibre en tout temps et de mieux maîtriser l'outil dans des situations imprévues.**
- **Utiliser le matériel de sécurité approprié; toujours porter des lunettes de protection. Porter un masque anti-poussières, des chaussures antidérapantes, un casque de sécurité ou des protecteurs auditifs lorsque la situation le requiert.**

UTILISATION ET ENTRETIEN DE L'OUTIL

- **Fixer et soutenir la pièce sur une plate-forme stable au moyen d'une bride de serrage ou de tout autre dispositif semblable.** La pièce est instable lorsqu'on la retient manuellement ou qu'on l'appuie contre le corps, ce qui pourrait faire perdre la maîtrise de l'outil.
- **Ne pas forcer l'outil ni l'utiliser pour des travaux autres que ceux pour lesquels il a été conçu.** Pour obtenir de meilleurs résultats et prévenir les risques de blessure, laisser l'outil couper à la vitesse pour laquelle il a été conçu.

- Ne pas utiliser l’outil lorsque l’interrupteur marche-arrêt ne fonctionne pas.** Tout outil qui ne peut être commandé au moyen de l’interrupteur est dangereux et doit être réparé.
- Débrancher l’outil de la source d’alimentation électrique avant d’effectuer un réglage, de changer les accessoires ou de ranger l’outil**; ces mesures de sécurité préventives réduisent les risques de démarrage accidentel.
- Lorsqu’on n’utilise pas l’outil, le ranger hors de la portée des enfants ou des personnes non qualifiées.** Les outils sont dangereux entre les mains de personnes inexpérimentées.
- Bien entretenir l’outil**; **s’assurer qu’il est toujours bien propre et aiguisé.** Les outils bien entretenus et dont les bords sont bien tranchants sont moins susceptibles de rester coincés et sont plus faciles à maîtriser.
- Vérifier les pièces mobiles afin de s’assurer qu’elles sont bien alignées et qu’elles ne restent pas coincées. Vérifier également les pièces afin de s’assurer qu’il n’y a aucun bris ni aucune autre condition susceptible de nuire au bon fonctionnement de l’outil. Faire réparer l’outil si ce dernier est endommagé avant de s’en servir à nouveau, car les accidents sont souvent causés par des outils mal entretenus.**
- N’utiliser que les accessoires recommandés par le fabricant pour le modèle concerné.** Un accessoire destiné à un outil particulier peut devenir dangereux lorsqu’il est utilisé avec un autre.

ENTRETIEN

- L’outil doit être entretenu par le personnel qualifié seulement**; toute maintenance effectuée par une personne non qualifiée pourrait entraîner des risques de blessure.
- Lors de l’entretien, n’utiliser que des pièces de rechange identiques et suivre les directives précisées à la section « Entretien » du présent guide** afin de prévenir les risques de choc électrique ou de blessure.

Règles de sécurité additionnelles

- Tenir l’outil par les surfaces isolées prévues à cette fin lorsqu’il risque d’entrer en contact avec des fils cachés**, car de tels contacts peuvent mettre les pièces métalliques de l’outil sous tension, engendrant des risques de choc électrique.
- La vitesse des accessoires doit correspondre à la vitesse minimale recommandée indiquée sur l’étiquette d’avertissement de l’outil, car les meules et les accessoires qui sont réglés à une vitesse trop élevée peuvent se briser et occasionner des blessures lorsque des fragments de métal sont projetés. S’assurer que l’intensité nominale des accessoires utilisés est supérieure à la vitesse minimum des meules** indiquée sur la plaque signalétique.
- Porter des lunettes de sécurité ou autre dispositif de protection oculaire** car le martelage et le perçage peuvent faire projeter des particules et entraîner des dommages irréversibles aux yeux.
- S’assurer que les poignées sont propres, libres de toute tache d’huile et de graisse.** Il est conseillé de porter des gants en caoutchouc afin d’optimiser la maîtrise de l’outil.

▲ AVERTISSEMENT : Certains outils, tels que les sableuses électriques, les scies, les meules, les perceuses ou certains autres outils de construction, peuvent soulever de la poussière contenant des produits chimiques susceptibles d’entraîner le cancer, des malformations congénitales ou pouvant être nocifs pour le système reproductif. Parmi ces produits chimiques, on retrouve :

- le plomb dans les peintures à base de plomb;
- la silice cristalline dans les briques et le ciment et autres produits de maçonnerie;
- l’arsenic et le chrome dans le bois de sciage ayant subi un traitement chimique (CCA).

Le risque associé à de telles expositions peut varier selon la fréquence avec laquelle on effectue ces travaux. Pour réduire l’exposition à de tels produits, il faut travailler dans un endroit bien ventilé et utiliser l’équipement de sécurité approprié tel un masque anti-poussières spécialement conçu pour filtrer les particules microscopiques.

- Éviter tout contact prolongé avec la poussière soulevée par cet outil ou autres outils électriques.** Porter des vêtements de protection et nettoyer les parties exposées du corps avec de l’eau savonneuse. S’assurer de bien se protéger afin d’éviter d’absorber par la bouche, les yeux ou la peau des produits chimiques nocifs.

▲ AVERTISSEMENT : Cet outil peut produire et répandre de la poussière susceptible de causer des dommages sérieux et permanents au système respiratoire. Toujours utiliser un appareil respiratoire anti-poussières approuvé par le NIOSH ou l’OSHA. Diriger les particules dans le sens opposé du visage et du corps.

▲ MISE EN GARDE : Porter un appareil de protection personnel anti-bruit approprié durant l’utilisation. Sous certaines conditions et selon la durée d’utilisationpendant toute la durée de l’utilisation, le bruit émanant de ce produit pourrait contribuer à la perte d’audition.

- L’étiquette apposée sur l’outil peut afficher les symboles suivants. Ces symboles et leurs définitions sont les suivants :

V	volts	A	ampères
Hz	hertz	W.....	watts
min	minutes	~	courant alternatif
====	courant continu	no	aucune option à vide
	construction de classe II		borne de terre
	symbole d’avertissement	.../min	tours par minute

CONSERVER CES MESURES

Moteur

Un moteur DeWALT actionne l’outil DeWALT. Veiller à ce que la tension d’alimentation soit conforme aux exigences de la plaque signalétique de l’outil. Une baisse de tension de plus de 10 p. 100 entraîne une perte de puissance et la surchauffe. Tous les outils DeWALT sont essayés avant de quitter l’usine. Lorsque celui-ci refuse de fonctionner, vérifier la source de courant électrique.

Installation de la poignée-bêche (Fig. 1)

La poignée-bêche peut être fixée horizontalement ou verticalement. Installer la poignée sur le bossage au dos de la perceuse et la fixer à l’aide des boutons de fixation.

Poignée latérale (Fig. 1)

La poignée latérale peut être placée d’un côté comme de l’autre de la perceuse ou sur le dessus selon la préférence de l’utilisateur et l’espace de manœuvre disponible. La poignée-bêche peut être retirée temporairement si l’espace de manœuvre à l’arrière de l’outil est restreint. Toujours remettre la poignée-bêche lorsque c’est possible.

▲ MISE EN GARDE : Toujours utiliser la poignée latérale et celle de l’interrupteur. Cette perceuse dispose d’un couple élevé. Toujours la maintenir fermement à deux mains pendant toute utilisation.

Interrupteur (Fig. 2)

Pour mettre la perceuse en marche, enfoncer l’interrupteur à détente; pour la mettre hors circuit, relâcher l’interrupteur à détente.

Le régulateur de vitesse (A) permet de contrôler la vitesse de l’outil. Plus on enfonce l’interrupteur à détente, plus l’outil fonctionne rapidement.

NOTE : Se servir des basses vitesses pour amorcer des trous sans poinçon ainsi que pour percer les métaux, les plastiques et la céramique, ainsi que pour enfoncer des vis. Les vitesses élevées conviennent mieux au perçage du bois et des panneaux d’agglomérés, ainsi qu’à l’utilisation d’accessoires pour le ponçage et le polissage.

L’inverseur de marche (B) sert à sortir les vis ou les forets coincés. Il se trouve au-dessus de l’interrupteur à détente. Pour actionner la marche arrière, il faut D’ABORD relâcher l’interrupteur à détente, puis faire glisser l’inverseur de marche vers la droite. Après les travaux en marche arrière, toujours remettre l’inverseur à la marche avant.

Utiliser le mécanisme de verrouillage (C) lorsque la perceuse est installée sur un support de perceuse ou maintenu fermement de toute autre façon... mais **PAS À LA MAIN**.

Ne pas verrouiller l’interrupteur en position de marche pour percer à la main de façon à pouvoir relâcher instantanément la gâchette si la mèche reste coincée dans le trou.

S’assurer de bien relâcher le mécanisme de verrouillage avant de débrancher la perceuse du secteur. Dans le cas contraire, l’outil démarrera immédiatement la prochaine fois qu’il sera branché, et posera des risques de blessure ou de dommage matériel.

Mandrin

Pour insérer une mèche, ouvrir les mâchoires du mandrin en faisant tourner la bague manuellement puis y insérer l’arbre de la mèche sur une longueur d’environ 19 mm (3/4 po). Resserrer la bague du mandrin manuellement. Mettre la clé du mandrin dans chacun des trois trous puis serrer vers la droite. Il est important de serrer le mandrin à l’aide des trois trous.

Pour relâcher la mèche, faire tourner la clé du mandrin vers la gauche dans un seul trou, puis desserrer le mandrin manuellement.

Retrait du mandrin (Fig. 3, 4)

- Installer la clé du mandrin comme illustré en Figure 3. À l’aide d’un maillet en bois ou un objet similaire, donner un coup sec sur la clé VERS LA DROITE. Cela desserrera la vis dans le mandrin.
- Ouvrir les mâchoires du mandrin à fond. Insérer un tournevis à l’avant du mandrin entre les mâchoires dans la tête de la vis. Dévisser la vis en tournant vers la droite (filetage à gauche).
- Installer la clé du mandrin comme illustré en Figure 4. À l’aide d’un maillet en bois ou un objet similaire, donner un coup sec sur la clé VERS LA GAUCHE. Cela desserrera le mandrin et permettra de le dévisser manuellement.

Perçage

- Toujours débrancher l’outil lorsqu’on en change les forets ou les accessoires.
- N’utiliser que des forets bien affûtés. Pour le BOIS : forets hélicoïdaux, à langue d’aspic, de tarière ou des emporte-pièce; pour le MÉTAL : forets hélicoïdaux en acier de coupe rapide ou des emporte-pièce; pour la MAÇONNERIE (brique, ciment et béton, etc.) : forets au carbure.
- Veiller à ce que la pièce à percer soit solidement retenue ou fixée en place. Afin d’éviter les avaries aux matériaux minces, les adosser à un bloc de bois épais.
- Toujours exercer la pression en ligne directe avec le foret. N’user que de la force qu’il faut pour que le foret continue de percer; éviter de trop forcer, ce qui pourrait faire caler le moteur ou dévier le foret.
- Saisir fermement la perceuse afin de contrer l’effet de torsion de l’outil en marche.
- LA PERCEUSE S’ÉTOUFFE** habituellement lorsqu’elle est surchargée ou utilisée de façon inappropriée. **RELÂCHER IMMÉDIATEMENT L’INTERRUPTEUR À DÉTENTE**, retirer le foret du matériau et déterminer la cause du blocage. **ÉVITER DE METTRE EN MARCHÉ ET HORS CIRCUIT L’OUTIL À L’AIDE DE L’INTERRUPTEUR À DÉTENTE DANS LE BUT DE FAIRE DÉMARRER LA PERCEUSE BLOQUÉE, CELA POURRAIT L’ENDOMMAGER.**
- Afin de minimiser l’étouffement du moteur ou le défoncement de la pièce, réduire la pression et faire avancer plus doucement le foret vers la fin de sa course.
- Laisser le moteur en marche lorsqu’on retire le foret d’un trou afin d’éviter qu’il se coince.

Perçage dans le bois

Les forets hélicoïdaux à métal peuvent servir à percer le bois, mais il faut les retirer souvent du trou pour chasser les copeaux et rognures des goujures afin d’éviter qu’ils ne surchauffent. Pour percer de gros trous, utiliser les forets à langue d’aspic ou à simple spirale, ou des emporte-pièce. Adosser les matériaux friables à un bloc de bois quelconque.

Perçage dans le métal

Utiliser de l’huile de coupe pour percer dans les métaux, sauf la fonte et le laiton qui se percent à sec. L’huile de coupe la plus efficace est l’huile sulfurisée ou l’huile de lard; la graisse de bacon est parfois suffisante.

Perçage dans la maçonnerie

Utiliser des forets à maçonnerie à basse vitesse. Exercer une pression constante, sans forcer afin d’éviter de casser les matériaux friables. Une production uniforme de poussière à débit moyen indique un perçage convenable.

Lubrification

Les roulements à billes et les paliers lisses de l’outil ont été lubrifiés en permanence à l’usine. La graisse du boîtier d’engrenages lubrifie les roulements à aiguilles. Il faut nettoyer et lubrifier de nouveau le boîtier d’engrenages annuellement ou lorsque l’entretien nécessite le retrait du boîtier d’engrenages. Utiliser le type et la quantité de graisse mentionnée dans la liste des pièces incluse dans l’emballage.

Pour enlever le boîtier d’engrenages, desserrer les quatre vis situées sur le devant de l’outil. Lorsque le mandrin est trop gros pour enlever les deux vis du haut, consulter la rubrique relative au retrait du mandrin.

Balais du moteur

▲ MISE EN GARDE : *Arrêter et débrancher l’outil avant d’effectuer un réglage ou de retire/ d’installer une pièce ou un accessoire.*

Les outils DeWALT sont dotés d’un système perfectionné de vérification des balais qui arrête automatiquement l’outil lorsque les balais sont usés afin d’empêcher d’endommager le moteur.

Accessoires

On peut se procurer séparément les accessoires recommandés pour l’outil chez les détaillants ou au centre de service de la région.

Pour trouver un accessoire, prière de communiquer avec DeWALT Industrial Tool Co., 701 East Joppa Road, Baltimore, MD 21286, É.-U., ou composer sans frais le 1 (800) 433-9258.

▲ MISE EN GARDE: *L’utilisation de tout autre accessoire non recommandé avec cet outil pourrait être dangereux.*

Par mesure de sécurité, n’utiliser que les accessoires suivants et uniquement ceux ne dépassant pas les dimensions maximales recommandées.

Capacité de la perceuse Régime (trs/min)	1/2 po	13mm
Hélicoïdal pour l’acier	1/2 po	13 mm
À simple spirale	1-1/2 po	38 mm
À alimentation automatique	3 po	76 mm
À langue d’aspic	1-1/2 po	38 mm
Emporte-pièce pour le bois	5 po	127 mm
Emporte-pièce pour l’acier	4 po	102 mm

LA VITESSE NOMINALE DES ACCESSOIRES DOIT ÊTRE ÉGALE OU SUPÉRIEURE AU RÉGIME DE L’OUTIL (INDIQUÉ SUR LA PLAQUE SIGNALÉTIQUE DE CE DERNIER) AVEC LEQUEL ILS SONT UTILISÉS.

Réparations

Pour assurer la SÉCURITÉ D’EMPLOI et la FIABILITÉ de l’outil, n’en confier la réparation, l’entretien et les rajustements (y compris l’inspection et le remplacement des balais) qu’au personnel d’un centre de service DeWALT ou d’un atelier d’entretien autorisé n’utilisant que des pièces de rechange identiques.

Garantie limitée de trois ans

DeWALT réparera, sans frais, tout produit défectueux causé par un défaut de matériel ou de fabrication pour une période de trois ans à compter de la date d’achat. La présente garantie ne couvre pas les pièces dont la défectuosité a été causée par une usure normale ou l’usage abusif de l’outil. Pour obtenir de plus amples renseignements sur les pièces ou les réparations couvertes par la présente garantie, visiter le site www.dewalt.com ou composer le 1 800 433-9258 (1 800 4-DeWALT). Cette garantie ne s’applique pas aux accessoires et ne vise pas les dommages causés par des réparations effectuées par un tiers. Cette garantie confère des droits légaux particuliers à l’acheteur, mais celui-ci pourrait aussi bénéficier d’autres droits variant d’un état ou d’une province à l’autre.

En plus de la présente garantie, les outils DeWALT sont couverts par notre :

CONTRAT D’ENTRETIEN GRATUIT D’UN AN

DeWALT entretiendra l’outil et remplacera les pièces usées au cours d’une utilisation normale et ce, gratuitement, pendant une période d’un an à compter de la date d’achat, et la

GARANTIE DE REMBOURSEMENT DE 90 JOURS

Si l'acheteur n'est pas entièrement satisfait, pour quelque raison que ce soit, du rendement de l'outil électrique, du laser ou de la cloueuse DeWALT, celui-ci peut le retourner, accompagné d'un reçu, dans les 90 jours à compter de la date d'achat, pour obtenir un remboursement intégral, sans aucun problème.

REMPLACEMENT GRATUIT DE L'ÉTIQUETTE : Si vos étiquettes d'avertissement deviennent illisibles ou sont manquantes, composez le 1-800-4-DeWALT pour obtenir une étiquette de remplacement gratuite.



Instrucciones de seguridad generales

¡ADVERTENCIA! Lea todas las instrucciones hasta comprenderlas. No ajustarse a las instrucciones siguientes puede ser causa de choque eléctrico, incendio o lesiones graves.

CONSERVE ESTAS INSTRUCCIONES

ÁREA DE TRABAJO

- **Mantenga el área de trabajo limpia y bien iluminada.** Las bancadas desordenadas y las zonas oscuras propician los accidentes.
- **No opere herramientas eléctricas en atmósferas explosivas, como en presencia de líquidos, gases o polvos inflamables.** Las herramientas eléctricas producen chispas que pueden originar la ignición del polvo o los vapores.
- **Mientras opere una herramienta eléctrica, mantenga lejos a los observadores, niños y visitantes.** Las distracciones pueden ocasionar que pierda el control

SEGURIDAD ELÉCTRICA

- **Las herramientas con conexión a tierra deben conectarse a una toma de corriente debidamente instalada y con conexión a tierra, de acuerdo con todos los códigos y ordenanzas aplicables. Nunca quite la pata de conexión a tierra ni modifique el enchufe en ninguna manera. No emplee ningún adaptador para enchufes. Si tiene alguna duda acerca de si la toma de corriente está debidamente conectada a tierra, consulte a un electricista calificado.** Si las herramientas presentasen fallas eléctricas o averías, la conexión a tierra ofrece una vía de baja resistencia para alejar la corriente eléctrica del usuario. **Sólo es aplicable a las herramientas de Clase I (con conexión a tierra).**
- **Las herramientas con doble aislamiento están equipadas con una clavija polarizada (una pata es más ancha que la otra). Esta clavija se acoplará a un enchufe polarizado de una sola manera. Si la clavija no se acopla al contacto, inviértala. Si aún así no se ajusta, comuníquese con un electricista calificado para que instale un enchufe polarizado apropiado.** Nunca cambie la clavija. El doble aislamiento elimina la necesidad de cables con tres hilos y sistemas de suministro eléctrico con conexión a tierra. **Sólo es aplicable a las herramientas de Clase II.**
- **Evite el contacto del cuerpo con superficies conectadas a tierra, tales como tuberías, radiadores, registros y refrigeradores.** El riesgo de choque eléctrico aumenta si su cuerpo hace tierra.
- **No exponga las herramientas eléctricas a la lluvia o a condiciones de mucha humedad.** Si entra agua en una herramienta eléctrica, aumenta el riesgo de choque eléctrico.
- **No maltrate el cable. Nunca tome el cable para transportar la herramienta ni para desconectarla del enchufe. Mantenga el cable alejado de las fuentes de calor, el aceite, las orillas afiladas o las piezas en movimiento. Cambie inmediatamente los cables dañados.** Los cables dañados aumentan el peligro de choque eléctrico.
- **Cuando opere una máquina herramienta a la intemperie, utilice un alargador marcado "W-A" o "W".** Estos alargadores están clasificados para ser usados a la intemperie y reducen el riesgo de descarga eléctrica. Al usar un alargador, asegúrese de que tenga el calibre necesario para llevar la corriente que su producto requerirá. Un alargador de un calibre insuficiente causará una caída en la tensión de la línea dando por resultado la pérdida de energía y sobrecalentamiento. La tabla siguiente muestra el tamaño correcto para utilizar dependiendo de la longitud del alargador y del amperaje nominal de la placa de identificación. En caso de duda, utilice el de mayor calibre. Cuanto más pequeño es el número del calibre, más resistente es el alargador.

Tamaño mínimo recomendado del conductor para los alargadores

Longitud total del cable

25 pies	50 pies	75 pies	100 pies	125 pies	150 pies	175 pies
7,6 m	15,2 m	22,9 m	30,5 m	38,1 m	45,7 m	53,3 m

Tamaño de conductor AWG

18	18	16	16	14	14	12
----	----	----	----	----	----	----

SEGURIDAD PERSONAL

- **Al utilizar una herramienta eléctrica, esté atento, concéntrese en lo que hace y aplique el sentido común. No utilice la herramienta si se encuentra fatigado o bajo la influencia de drogas, alcohol o fármacos.** Mientras se utilizan herramientas eléctricas, basta un instante de distracción para sufrir lesiones graves.
- **Lleve ropa adecuada. No utilice ropa suelta ni joyas. Recójase el cabello largo. Mantenga el cabello, la ropa y los guantes apartados de las piezas en movimiento.** Las partes móviles pueden atrapar las prendas de vestir sueltas, las joyas y el cabello. Los orificios de ventilación suelen cubrir piezas en movimiento, por lo que también se deben evitar.
- **Evite puestas en marcha accidentales.** Asegúrese de que el interruptor esté apagado antes de enchufar la máquina. Transportar las herramientas con el dedo sobre el interruptor o enchufarlas con el interruptor encendido favorece los accidentes.
- **Antes de poner en marcha la herramienta, retire las llaves de ajuste.** Una llave que se deje en una pieza giratoria de la herramienta puede provocar lesiones.
- **No ponga en peligro su estabilidad. Manténgase siempre bien apoyado y equilibrado.** Un buen apoyo y equilibrio permiten controlar mejor la herramienta si se produce algún imprevisto.
- **Utilice el equipo de seguridad. Lleve siempre lentes protectores.** Cuando sea adecuado, también se debe usar mascarilla antipolvo, zapatos de suela antideslizante, casco o protectores auditivos.

USO Y CUIDADOS DE LA HERRAMIENTA

- **Utilice abrazaderas u otro elemento adecuado para sujetar y apoyar la pieza de trabajo en una plataforma estable.** Sujetar la pieza con la mano o contra el cuerpo es inestable y facilita la pérdida de control.
- **No fuerce la herramienta. Emplee la herramienta correcta para cada aplicación.** La herramienta correcta hace el trabajo mejor y más seguro dentro del rango para el que ha sido diseñada.
- **No utilice la herramienta si el interruptor no la enciende y apaga.** Cualquier herramienta que no pueda controlarse con el interruptor es peligrosa y se debe reparar.
- **Desconecte la clavija del enchufe antes de proceder a cualquier ajuste, cambiar un accesorio o guardar la herramienta.** Estas medidas de seguridad preventiva reducen el riesgo de poner en marcha la herramienta accidentalmente.
- **Cuando no las utilice, guarde las herramientas fuera del alcance de los niños o de cualquier persona no capacitada.** Las herramientas son peligrosas en manos de usuarios no capacitados.

- **Cuide las herramientas. Conserve las herramientas de corte afiladas y limpias.** Unas herramientas adecuadamente cuidadas y con los bordes de corte afilados se atascan menos y son más fáciles de controlar.
- **Compruebe si las piezas móviles se desalinean o atascan, si hay alguna pieza rota o cualquier otra circunstancia que pueda afectar la operación de la herramienta. Si la herramienta está dañada, hágala reparar antes de usarla.** Muchos accidentes los provocan unas herramientas mal cuidadas.
- **Utilice únicamente los accesorios recomendados por el fabricante para su modelo.** Un mismo accesorio puede ser adecuado para una herramienta, pero peligroso si se usa en otra.

SERVICIO

- **El servicio a la herramienta sólo debe realizarlo personal cualificado.** El servicio o mantenimiento realizados por personal no calificado puede dar como resultado un riesgo de lesiones.
- **Al proceder al mantenimiento de una herramienta, utilice únicamente refacciones idénticas. Siga las instrucciones de la sección "Mantenimiento" de este manual.** La utilización de piezas no autorizadas, o no respetar las instrucciones de mantenimiento, puede suponer un peligro de choque eléctrico o de lesiones.

Instrucciones importantes de seguridad

- **Sujete la herramienta por las superficies aislantes si lleva a cabo una operación en que la herramienta pueda tocar un conductor oculto.** El contacto con un conductor activo provocará que las piezas metálicas de la herramienta conduzcan electricidad y que el operador reciba una descarga eléctrica.
- **Los accesorios deben estar clasificados por lo menos para la velocidad recomendada en la etiqueta de advertencia de la herramienta.** Si funcionan a velocidades superiores a la prevista, los discos y otros accesorios pueden deshacerse y provocar lesiones. Las especificaciones de los accesorios deben encontrarse a una velocidad de disco superior a la mínima registrada en la placa nominal de la herramienta.
- **Utilice gafas de seguridad u otro tipo de protección ocular.** Las operaciones de martillado pueden ocasionar que salgan astillas despedidas. Las partículas voladoras pueden ocasionar daños oculares permanentes.
- **Conserve los mangos secos, limpios, libres de aceite y grasa.** Se recomienda el uso de guantes de goma. Esto le permitirá controlar mejor la herramienta.

ADVERTENCIA: Parte del polvo creado al lijar, aserrar, moler o perforar con máquina, así como al realizar otras actividades de la construcción, contiene sustancias químicas que se sabe producen cáncer, defectos congénitos u otras afecciones reproductivas. Algunos ejemplos de esas sustancias químicas son:

- plomo de pinturas a base de plomo,
- sílice cristalizado de ladrillos y cemento y otros productos de albañilería, y
- arsénico y cromo de la madera químicamente tratada (CCA).

El riesgo al contacto con estas sustancias varía, según la frecuencia en que se haga este tipo de trabajo. Para reducir la exposición a esas sustancias químicas: trabaje en un área bien ventilada, y trabaje con equipos de seguridad aprobados, tales como máscaras contra el polvo especialmente diseñadas para filtrar las partículas microscópicas.

- **Evite el contacto prolongado con polvos originados por lijar, aserrar, esmerilar, taladrar y otras actividades constructivas.** Vista ropas protectoras y lave las áreas expuestas con agua y jabón. Permitir que el polvo se introduzca en su boca, ojos, o dejarlo sobre la piel promueve la absorción de químicos dañinos.

ADVERTENCIA: El uso de esta herramienta puede generar o dispersar polvo lo cual puede causar lesiones respiratorias serias y permanentes y otros tipos de lesión. Siempre use protección respiratoria aprobada por NIOSH/OSHA para la exposición al polvo. Dirija las partículas en dirección opuesta a su cara y cuerpo.

PRECAUCIÓN: Utilice una protección auditiva apropiada durante el uso. En determinadas condiciones y con utilizaciones prolongadas, el ruido generado por este producto puede favorecer la pérdida de audición.

- La etiqueta de su herramienta puede incluir los siguientes símbolos. Los símbolos y sus definiciones son los siguientes:

V	voltios	A	amperios
Hz	hertzios	W	vatios
min	minutos	~	corriente alterna
====	corriente directa	n _o	velocidad sin carga
<input type="checkbox"/>	construcción de Clase II	⊕	terminal con conexión a tierra
▲	símbolo de alerta de seguridad	.../min.....	revoluciones por minuto

CONSERVE ESTAS INSTRUCCIONES

Motor

Su herramienta DeWALT cuenta con un motor DeWALT integrado. Asegúrese que el voltaje de su toma de corriente concuerda con las especificaciones de la placa de la unidad.

Las disminuciones del voltaje mayores de 10% harán que la herramienta pierda fuerza y se sobrecaliente. Todas las herramientas DeWALT se han probado en fábrica; si ésta no operara, verifique la toma de corriente del sitio.

Unidad de mango tipo pala (Fig. 1)

El mango tipo pala se puede instalar ya sea vertical u horizontalmente. Coloque el mango en su lugar en la parte de atrás del taladro y ensamble con el pomo de sujeción.

Mango lateral (Fig. 1)

El mango lateral puede ponerse en cualquiera de los dos lados del taladro o en la parte superior del taladro, según sea la preferencia del operador y la disponibilidad de espacio en el lugar de trabajo. El mango tipo pala se puede quitar temporalmente si el espacio para trabajar en la parte de atrás de la herramienta es limitado. Siempre reponga el mango tipo pala cuando sea posible.

PRECAUCIÓN: Utilice siempre el mango lateral y el mango del conmutador. Este es un taladro de alto par torsor. Siempre sujete el taladro firmemente y con ambas manos cuando esté en funcionamiento.

Interruptor (Fig. 2)

Oprima el interruptor de gatillo (A) para accionar el taladro; suéltelo para detenerlo.

El interruptor de gatillo de velocidad variable permite controlar la velocidad. Cuanto más a fondo se oprima el gatillo, mas elevada será la velocidad del taladro.

NOTA: Utilice velocidades bajas para perforar sin haber marcado el "punto" de centro, taladrar en metal o plásticos, atornillar y perforar cerámica. Las altas velocidades son mejores para barrenar madera y aglomerados de ésta, y cuando se van a utilizar los accesorios abrasivos y de pulido.

La palanca de reversa (B) se utiliza para sacar las brocas atasgadas en barrenos muy apretados y para destornillar. Se encuentra situada por arriba del interruptor de gatillo. Para activar el motor en reversa, suelte PRIMERO el gatillo y, a continuación, mueva la palanca hacia la derecha. Después de haber efectuado una operación en reversa, devuelva la palanca hacia la posición de marcha hacia adelante.

La característica de encendido permanente se puede usar cuando el taladro está montado sobre un pedestal de taladro o cuando se sostiene con firmeza por medio de algún otro dispositivo...**NO A MANO.**

No use el encendido permanente (C) cuando taladre a mano. Así podrá liberar el conmutador tipo gatillo al instante si la broca se atasca en la perforación.

Asegúrese de liberar el botón de encendido permanente antes de desconectar el enchufe de la fuente de alimentación de corriente. No hacerlo propiciará que el taladro se encienda apenas se vuelva a enchufar, con el peligro consecuente de daños o lesiones.

Portabrocas

Para insertar la broca, abra las mordazas del portabrocas girando el collarín con los dedos e inserte el vástago de la broca aproximadamente 19 mm (3/4 pulg.) dentro del portabrocas. Apriete el collarín del portabrocas a mano. Coloque la llave del portabrocas en cada uno de los tres orificios, y apriétela en el sentido de las manecillas del reloj. Es muy importante apretar el portabrocas desde los tres orificios. Para liberar la broca, gire la llave del portabrocas en sentido contrario a las manecillas del reloj, desde uno solo de sus orificios, y luego afloje el portabrocas a mano.

Para quitar el Portabrocas (Fig. 3, 4)

- Coloque la llave del portabrocas en el portabrocas, como se muestra en la Figura 3. Aplique a la llave un golpe seco con un marro de madera EN EL SENTIDO DE LAS MANECILLAS DEL RELOJ. Esto aflojará el tornillo interno del portabrocas.
- Abra completamente las mordazas del portabrocas. Inserte el destornillador en la parte delantera del portabrocas entre las mordazas para enganchar la cabeza del tornillo. Saque el tornillo girándolo en el sentido de las manecillas del reloj (hilo izquierdo).
- Coloque la llave en el portabrocas, como se muestra en la Figura 4. Dé un golpe seco a la llave del portabrocas con un marro de madera EN SENTIDO OPUESTO A LAS MANECILLAS DEL RELOJ. Esto aflojará el portabrocas para poder desenroscarlo a mano.

Taladrado

- Desconecte siempre el taladro antes de poner o cambiar brocas o accesorios.
- Utilice exclusivamente brocas afiladas. Para taladrar MADERA emplee brocas helicoidales, brocas de horquilla o brocas sierra. Para taladrar METAL use brocas helicoidales de alta velocidad o brocas sierra. Para taladrar MAMPOSTERÍA, ladrillo, cemento, etc., utilice brocas con punta de carburo de tungsteno.
- Asegúrese de que el material que va a taladrar este firmemente anclado o afianzado. Si perfora material delgado, aplique al mismo un respaldo de madera para evitar dañarlo.
- Aplique presión a la broca siempre en línea recta. Haga suficiente presión para que la broca siga perforando, pero no tanta para que el motor se atasque o la broca se desvíe.
- Sujete la herramienta firmemente para controlar la acción de torsión de la broca.
- SI EL TALADRO SE TRABA**, esto se deberá posiblemente a que está sobrecargado o que se está utilizando en forma indebida. **SUELTE EL GATILLO DE INMEDIATO**, retire la broca del barreno y determine la causa del atascamiento. **NO APRIETE EL GATILLO PARA HACER PRUEBAS DE ENCENDIDO Y APAGADO, PUES PODRÍA DAÑARLO.**
- Para reducir el peligro de que se atasque el taladro, reduzca la presión y deje ir suavemente la broca hacia el final del barreno.
- Conserve el motor trabajando al retirar la broca del interior del barreno. De esta manera evitará que se atasque.

Taladrado en madera

Los barrenos en madera pueden hacerse con las mismas brocas que se utilizan para metal. Para evitar que las brocas se sobrecalienten, deben sacarse frecuentemente del barreno para quitar las virutas acumuladas en las estrías. Para hacer perforaciones más grandes, emplee brocas de poder para madera. El material que podría astillarse debe protegerse con un respaldo de madera.

Taladrado en metal

Utilice un lubricante para corte cuando perforo metales, excepto en los casos de hierro colado o latón en los que se deberá taladrar en seco. Los lubricantes más adecuados para corte son los de aceite sulfúrico y la manteca de cerdo.

Taladrado en mampostería

Utilice brocas con punta de carburo de tungsteno a bajas velocidades. Conserve uniforme la presión sobre el taladro, pero no al grado que se despostillen los materiales. La salida continua de volutas de polvo indica que se esta aplicando la velocidad apropiada.

Lubricación

Todos los baleros de bolas y agujas empleados en esta herramienta se lubrican para toda su vida útil. Todos los baleros de agujas reciben lubricación de la grasa en la caja de engranes. Limpie y relubrique la caja de engranes anualmente o cuando sea que el servicio requiera sacar la caja de engranes. Utilice el tipo y la cantidad de grasa indicados en la lista de partes que viene empacada con su herramienta.

La caja de engranes se saca quitando los cuatro tornillos de la parte frontal de la herramienta. Si el portabrocas es demasiado grande para permitir quitar los dos tornillos de la parte superior, vea las instrucciones de remoción del portabrocas.

Carbones del motor

⚠ PRECAUCIÓN: Apague y desenchufe la herramienta. antes de hacer cualquier ajuste o de quitar o instalar accesorios. Asegúrese que el conmutador tipo gatillo esté en posición OFF (apagado).

Esta herramienta DEWALT utiliza un avanzado sistema de carbones que apaga la herramienta automáticamente cuando los carbones se han desgastado. Esto evita daños serios al motor.

Accesorios

Dispone usted de los accesorios para su herramienta por un cargo adicional con su distribuidor local autorizado Se incluye una lista completa de los centros de servicio con su herramienta. Si necesita ayuda para encontrar cualquier accesorio, por favor comuníquese con DEWALT Industrial Tool Co., 701 East Joppa Road, Baltimore, MD 21286.

⚠ PRECAUCIÓN: El uso de cualquier accesorio que no sea recomendado para ser utilizado con esta herramienta podría ser peligroso.

Para la seguridad en uso, los accesorios siguientes se deben utilizar solamente de tamaños hasta los máximos demostrados en la tabla abajo.

CAPACIDADES MAXIMAS RECOMENDADAS		
Capacidad del taladro R.P.M.	12,7 mm	13mm
Brocas para metal	12,7 mm	1/2"
Brocas de poder	38,1 mm	1-1/2"
Alimentación	76,2 mm	3"
Espada	38,1 mm	1-1/2"
Brocas sierra p/madera	127 mm	5"
Brocas sierra p/metal	101,6 mm	4"

EL ACCESORIO DEBE ESTAR CLASIFICADO PARA UTILIZARSE A UNA VELOCIDAD IGUAL O MAYOR QUE LAS R.P.M. SEÑALADAS EN LA PLACA DE IDENTIFICACION DE LA HERRAMIENTA QUE SE ESTE EMPLEANDO.

Reparaciones

Para garantizar la SEGURIDAD y la CONFIABILIDAD, deberán hacerse reparaciones, mantenimiento y ajustes de esta herramienta en los centros autorizados de servicio DEWALT u otras organizaciones autorizadas. Estas organizaciones prestan servicio a las herramientas DEWALT y emplean siempre refacciones legítimas DEWALT.

PARA REPARACIÓN Y SERVICIO DE SUS HERRAMIENTAS ELÉCTRICAS, FAVOR DE DIRIGIRSE AL CENTRO DE SERVICIO MÁS CERCANO

CULIACAN, SIN Av. Nicolás Bravo #1063 Sur - Col. Industrial Bravo	(667) 7 12 42 11
GUADALAJARA, JAL Av. La Paz #1779 - Col. Americana Sector Juárez	(33) 3825 6978
MEXICO, D.F. Eje Central Lázaro Cárdenas No. 18 Local D, Col. Obrera	(55) 5588 9377
MERIDA, YUC Calle 63 #459-A - Col. Centro	(999) 928 5038
MONTERREY, N.L. Av. Francisco I. Madero No.831 - Col. Centro	(81) 8375 2313
PUEBLA, PUE 17 Norte #205 - Col. Centro	(222) 246 3714
QUERETARO, QRO Av. Madero 139 Pte. - Col. Centro	(442) 214 1660
SAN LUIS POTOSI, SLP Av. Universidad 1525 - Col. San Luis	(444) 814 2383
TORREON, COAH Blvd. Independencia, 96 Pte. - Col. Centro	(871) 716 5265
VERACRUZ, VER Prolongación Díaz Mirón #4280 - Col. Remes	(229) 921 7016
VILLAHERMOSA, TAB Constitución 516-A - Col. Centro	(993) 312 5111

PARA OTRAS LOCALIDADES LLAME AL: (55) 5326 7100

Póliza de Garantía

IDENTIFICACIÓN DEL PRODUCTO:

Sello o firma del Distribuidor.

Nombre del producto: _____ Mod./Cat.: _____

Marca: _____ Núm. de serie: _____

(Datos para ser llenados por el distribuidor)

Fecha de compra y/o entrega del producto: _____

Nombre y domicilio del distribuidor donde se adquirió el producto: _____

Este producto está garantizado por un año a partir de la fecha de entrega, contra cualquier defecto en su funcionamiento, así como en materiales y mano de obra empleados para su fabricación. Nuestra garantía incluye la reparación o reposición del producto y/o componentes sin cargo alguno para el cliente, incluyendo mano de obra, así como los gastos de transportación razonablemente erogados derivados del cumplimiento de este certificado.

Para hacer efectiva esta garantía deberá presentar su herramienta y esta póliza sellada por el establecimiento comercial donde se adquirió el producto, de no contar con ésta, bastará la factura de compra.

EXCEPCIONES.

Esta garantía no será válida en los siguientes casos:

- Cuando el producto se hubiese utilizado en condiciones distintas a las normales;
- Cuando el producto no hubiese sido operado de acuerdo con el instructivo de uso que se acompaña;
- Cuando el producto hubiese sido alterado o reparado por personas distintas a las enlistadas al final de este certificado.

Anexo encontrará una relación de sucursales de servicio de fábrica, centros de servicio autorizados y franquiciados en la República Mexicana, donde podrá hacer efectiva su garantía y adquirir partes, refacciones y accesorios originales.

Garantía limitada por tres años

DEWALT reparará, sin cargo, cualquier falla que surja de defectos en el material o la fabricación del producto, por hasta tres años a contar de la fecha de compra. Esta garantía no cubre fallas de las piezas causadas por su desgaste normal o abuso a la herramienta. Para mayores detalles sobre la cobertura de la garantía e información acerca de reparaciones realizadas bajo garantía, visítenos en www.dewalt.com o llámenos al 1 800 433-9258 (1-800-4-DEWALT). Esta garantía no aplica a accesorios o a daños causados por reparaciones realizadas o intentadas por terceros. Esta garantía le otorga derechos legales específicos, además de los cuales puede tener otros dependiendo del estado o provincia en que se encuentre.

Además de la garantía, las herramientas DEWALT están cubiertas por:

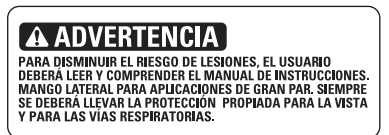
1 AÑO DE SERVICIO GRATUITO

DEWALT mantendrá la herramienta y reemplazará las piezas gastadas por su uso normal, sin cobro, en cualquier momento durante un año a contar de la fecha de compra.

GARANTÍA DE REEMBOLSO DE SU DINERO POR 90 DÍAS

Si no está completamente satisfecho con el desempeño de su máquina herramienta, láser o clavadora DEWALT, cualquiera sea el motivo, podrá devolverlo hasta 90 días de la fecha de compra con su recibo y obtener el reembolso completo de su dinero – sin necesidad de responder a ninguna pregunta.

REEMPLAZO DE LAS ETIQUETAS DE ADVERTENCIA GRATUITO: Si sus etiquetas de advertencia se tornan ilegibles o se pierden, llame al 1-800-4-DEWALT para que se las reemplacen sin cost.



Epecificaciones	DW130V
Tensión de alimentación	120 V CA
Potencia nominal:	975 W
Frecuencia de operación:	50/60 Hz
Consumo de corriente:	9,0 A
Rotación sin carga:	0-550/min

IMPORTADOR: DEWALT S.A. DE C.V.
BOSQUES DE CIDROS ACCESO RADIATAS NO. 42
COL. BOSQUES DE LAS LOMAS, 3A. SECCIÓN, CP 05120
DELEGACIÓN CUAJIMALPA, MÉXICO, D.F.
TEL. 5 326 7100
R.F.C.: BDE810626-1W7

Para servicio y ventas consulte
"HERRAMIENTAS ELÉCTRICAS"
en la sección amarilla.

